

RJ45 connector - VS-08-RJ45-Q - 1402420

Please be informed that the data shown in this PDF Document is generated from our Online Catalog. Please find the complete data in the user's documentation. Our General Terms of Use for Downloads are valid (<http://phoenixcontact.com/download>)



RJ45 connector, Degree of protection: IP20, Number of positions: 8, CAT5 (IEC 11801:2002), Material: PA 6.6, Connection method: IDC fast connection, Connection cross section: AWG 26-24, Cable exit: straight



Key Commercial Data

Packing unit	1 pc
Weight per Piece (excluding packing)	20.0 g
Custom tariff number	85366990
Country of origin	Germany

Technical data

Environmental Product Compliance

REACH SVHC	DOT E 15571-58-1
------------	------------------

Mechanical characteristics

Number of positions	8
Connection profile	RJ45
Shielded	yes
Insertion/withdrawal cycles	≥ 750
Connection method	IDC fast connection
Conductor cross section	0.13 mm ² ... 0.21 mm ² (solid)
	0.14 mm ² ... 0.23 mm ² (7-wire)
Connection cross section AWG	26 ... 24 (solid)
	26 ... 24 (7-wire)
Max. cable diameter	4.5 mm ... 8 mm
External cable diameter	4.5 mm ... 8 mm
Cable exit	straight
Color	green

RJ45 connector - VS-08-RJ45-Q - 1402420

Technical data

Ambient conditions

Ambient temperature (operation)	-20 °C ... 70 °C
---------------------------------	------------------

Material data

Flammability rating according to UL 94	V2
Housing material	PA 6.6
Contact material	CuSn

Electrical characteristics

Number of positions	8
Nominal voltage U_N	50 V
Nominal current I_N	1.75 A
Transmission characteristics (category)	CAT5 (IEC 11801:2002)
Rated current	1.75 A
Overvoltage category	I
Degree of pollution	2

Standards and Regulations

Flammability rating according to UL 94	V2
--	----

Classifications

eCl@ss

eCl@ss 4.0	27140816
eCl@ss 4.1	27260701
eCl@ss 5.0	27260701
eCl@ss 5.1	27260701
eCl@ss 6.0	27260705
eCl@ss 7.0	27440309
eCl@ss 8.0	27440101

ETIM

ETIM 4.0	EC001121
ETIM 5.0	EC002636

UNSPSC

UNSPSC 6.01	31261501
UNSPSC 7.0901	31261501
UNSPSC 11	31261501
UNSPSC 12.01	31261501

RJ45 connector - VS-08-RJ45-Q - 1402420

Classifications

UNSPSC

UNSPSC 13.2	31261501
-------------	----------

Approvals

Approvals

Approvals

EAC / EAC / UL Listed / cUL Listed / EAC / cULus Listed


Ex Approvals


Approvals submitted

Approval details

EAC

EAC

UL Listed 	
Nominal current IN	1.75 A
Nominal voltage UN	57 V

cUL Listed 	
Nominal current IN	1.75 A
Nominal voltage UN	57 V

EAC

RJ45 connector - VS-08-RJ45-Q - 1402420

Approvals



Accessories

Accessories

Stripping tool - VS-CABLE-STRIP-VARIO - 1657407



Stripping tool, for the multi-level stripping of shielded cables

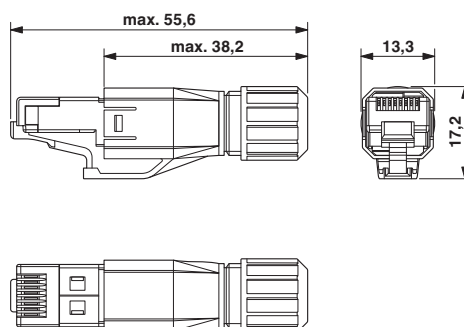
Shielding foil - VS-08-RJ45-FOLIEN-SET - 1417184

Shielding foil set, 25 pieces, replacement for RJ45 and M12 Quickon connector



Drawings

Dimensional drawing



RJ45 connector, IP20

